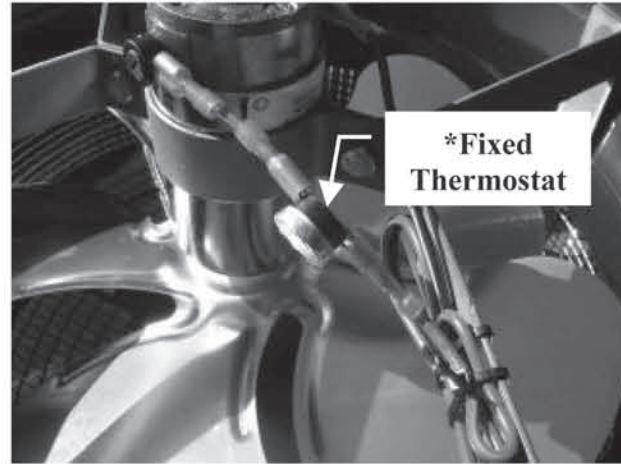


\* THIS PAGE APPLIES ONLY TO MODEL FB1600 TLT FT.

## Fixed Thermostat Information

This fan has been factory equipped with a thermal on/off switch. This switch is designed to turn the fan:

**ON: 80° F**  
**OFF: 65° F**  
(+/-7°)



Example: Attic temperature rises to 80° and fan turns on. Once it cools to 65° the fan will shut off. If evening comes and temp does not fall below 65° to reset the switch, then the unit will start the next morning at sunrise and continue to cool the attic. However, if the attic temp falls below 65° at night, then the switch will shut off and will not turn the unit on again until attic temp reaches 80°.

**INSTALLER:** THIS FAN WILL NOT RUN UNLESS THE AMBIENT (AIR) TEMPERATURE IS AT OR NEAR 80°. YOU MAY TEST OPERATION OF THE THERMOSTAT BY BLOWING WARM AIR DIRECTLY ON THE THERMOSTAT TO HEAT IT TO 80°, MAKING SURE SOLAR PANEL IS EXPOSED TO SUNLIGHT AT THE SAME TIME.



**SunRise Solar Inc.**  
P.O. Box 53  
St. John, IN 46373  
219-558-2211  
219-306-4571 fax  
[www.SunRiseSolar.net](http://www.SunRiseSolar.net)

*Solar Attic Fans.....made in the USA!*



# SunRise Solar-Powered Attic Fan

## Flat Base Unit w/Tilting Solar Panel

### Installation Guide



Model Shown: # FB1600 TLT

Available Models:  
FB1600 TLT & FB1600 TLT FT

- For normal sloped, shingled roofs.
- Also works well with flat concrete tile or slate roofs.

**Made in the USA**

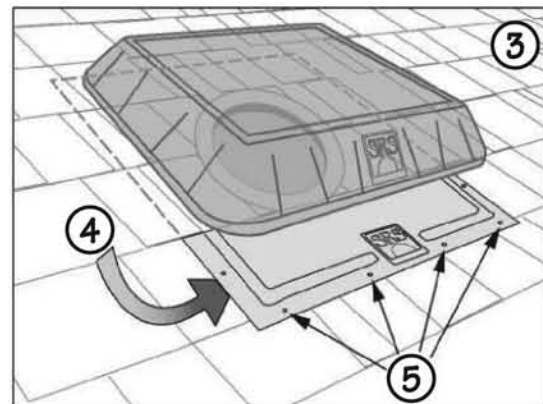
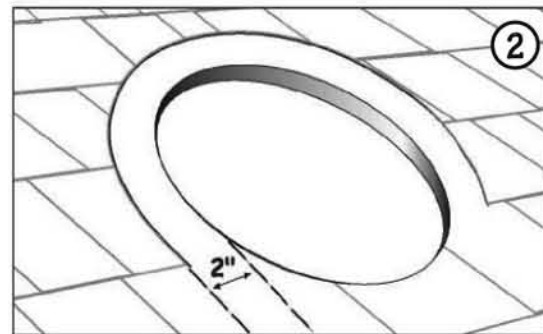
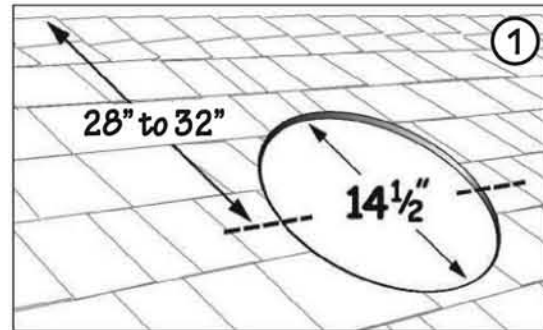
5 yr motor warranty  
10 yrs all other parts



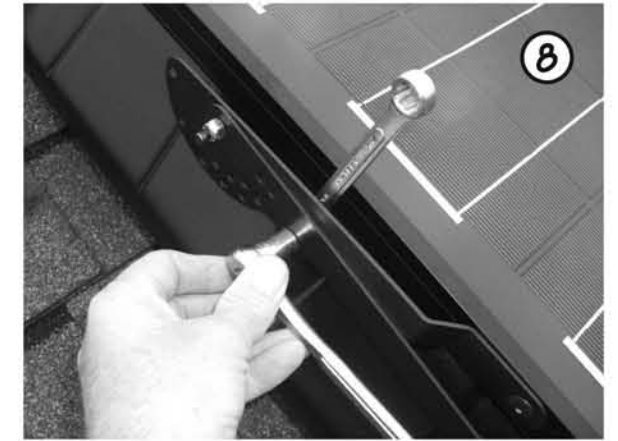
## FLAT BASE UNIT INSTALLATION

**NOTE:** For best operation, install solar fan where panel can be adjusted to receive the most direct sunlight.

- 1.) Cut a 14 1/2" diameter hole between rafters approximately 28"-32" down from roof peak to center of hole.
- 2.) Trim away top rows of shingles an additional 2" to allow base flashing to slip under top rows of shingles and over bottom rows.
- 3.) Slip the flat base under the top rows of shingles and center unit over opening with the SRS Logo on the bottom.
- 4.) Gently lift the unit and apply sealant under lower edge and sides of base flashing.
- 5.) Pre-drill (4) mounting holes along the bottom edge of the base flashing, and (1) hole on each side approximately 2" up from the bottom edge.
- 6.) Use exterior-grade screws to secure unit to roof deck. Apply sealant to screw heads.
- 7.) After installing your SunRise Solar Fan, it should look like this.



- 8.) Remove the 7/16" nut & bolt from each support bracket to allow panel to be tilted to desired position.



- 9.) Tilt panel so it will receive the most direct sunlight.



- 10.) Replace the 7/16" nuts and bolts to lock solar panel in position.



- 11.) The installation is now complete!

